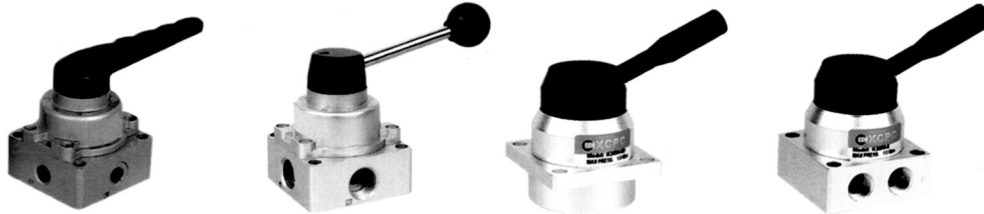


Hand-Switching Valve



Ordering Code

HV	-	02	B		K	34	-	R₈	L₈	D
Specification Code Hand-switching Valve		Joint Pipe Bore 02: G1/4" 03: G3/8" 04: G1/2"	Joint Pipe Type Blank: Pipe Connection Type B: Plate Connection Type		Specification Code Hand-switching Valve	Position and Way NO. 24: Two-position Four-way 34: Three-position Four-way		Type Code R: Hand-switching Valve	Joint Pipe Bore L ₆ : G1/8" L ₈ : G1/4"	Base Joint

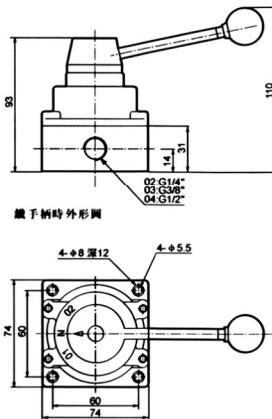
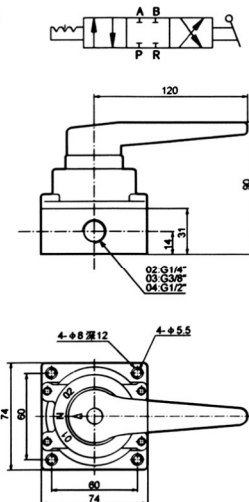
Specification

Model	HV-02	HV-03	HV-04	K34R ₈ -L ₆	K34R ₈ -L ₈
Working Medium	40 Micron Filtered Air				
Effective Sectional Area	30mm ² (CV=1.68)			18mm ² (CV=1.00)	
Joint Pipe Bore	G1/4"	G3/8"	G1/2"	G1/8"	G1/4"
Working-pressure Range	0~0.8MPa				
Operating Temperature	0~60℃				

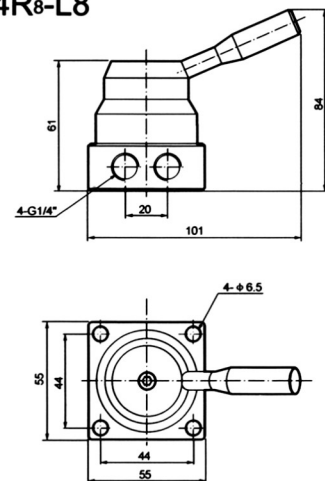
* Company can offer Hand-switching Valve with soft rubber seals and hard pottery seals as the seal structure form.

Overall Dimension

HV



K34R₈-L₈



Hand-Pull Valve



Ordering Code

TSV86

Specification Code
Hand-pull Valve

52

Position and Way NO.
Two-position Five-way

2

Joint Pipe Bore
1: G1/8"
2: G1/4"

- M

Type Code
M: Machinery Locking Type
S: Spring Reset Type

TSV98

Specification Code
Hand-pull Valve

32

Position and Way NO.
Two-position
Three-way

2

Joint Pipe Bore
1: G1/8"
2: G1/4"

- M

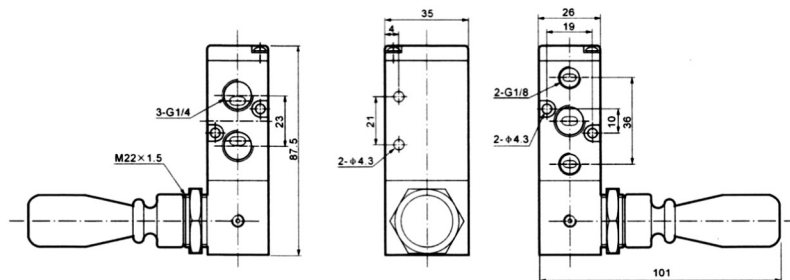
Type Code
M: Machinery Locking Type
S: Spring Reset Type

Specification

Model	TSV86522M/S	TSV98322M/S
Working Medium	40 Micron Filtered Air	
Motion Pattern	Direct Drive Type	
Effective Sectional Area	18mm ² (CV=1.00)	
Joint Pipe Bore	G1/4"	
Working-pressure Range	0~1.0MPa	
Operating Temperature	0~60℃	

Overall Dimension

TSV86522



TSV98322

